

RF/PIN Single Door Access Controller

STAR™
100R



Key Features

- Single Door Access Controller
- 128 Card holders (512 optional)
- Built-in 4"(10cm) RF reader
- RF only or RF+PIN (4~6 digit) operation modes
- External reader port for Exit
- Communication via RS232
- Independent 5 inputs and 4 outputs including 2 output relays
- All I/Os and operating Times user front programmable
- Door lock and unlock functions
- Setting for Safe / Secure mode
- Try-out error Alarm
- Optional 4ch Voice Auto-dialer
- 3 LEDs for system operation status
- Back lighting on keypad
- 100% Weather Proof

General

STAR 100R is an intelligent Single Door Access Controller based on powerful 8 bit microprocessor to meet a simple and cost-effective access control market requirement.

User friendly device allows you to register max. 128 ID numbers (512 ID numbers option) and easy to add or delete ID numbers.

Built-in 4"(10cm) RF reader gives you various operating modes such as RF only, RF + PIN(4~6 digit).

Independent 5 Input ports can detect door status and PIR sensor or Fire alarm and you can program related output sources and activate timing from the front keypads.

System will alarm in case of number of times wrong number entry and Tamper switch opens and one TTL output connected to Auto-dialer (option) will make a call to the pre-defined phone numbers (max. 4ch) and reports the alarm to Police, Fire station and/or to your cellular phone by voice message.

All event transaction reports to the host computer by RS232 communication.

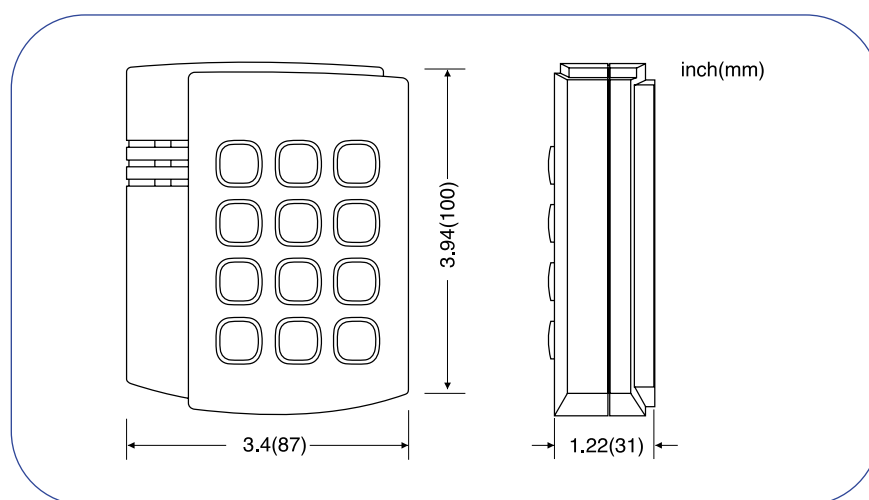
The modern design and easy installation will provide you an accurate access control for single door and 3 LED indicators informs you all system operating status at real time.

STAR100R will give you field proven reliability and cost-effective solution anywhere the access controls and high security is required.



Specifications

CPU	Dual 8bits microprocessors	
Memory	Program memory : 12 KB ROM	
	Data memory : 512 Bytes FLASH memory	
Read Range	IDK50	2 inch (5cm)
	IDC170	4 inch (10cm)
	IDC80	4 inch (10cm)
Reading Time	30ms	
Card Holders	128 Card holders (512 optional)	
Input / Output ports	Inputs	: 5 ea
	Relay Outputs	: 2 ea (COM, NO, NC)
	TTL Output	: 1 ea
	Chime bell output	: 1 ea
Reader Port	1 External reader port (26 bit Wiegand format)	
Communication	RS232, Baud rate : 9600bps	
Keypads	12 numeric keypad with back lighting	
Self Diagnostic	Yes	
LED indicators	3 LEDs (Red, Green, Yellow)	
Power	DC 12V, max. 200mA	
Operating Environment	-35°C ~ +65°C, 10% ~ 90% humidity	
Reset	Watch-dog timer & power on reset	
Color	Dark pearl gray	
Weight	210g (0.464 lbs)	

Dimensions

*RF/PIN Single
Door Access
Controller*

The specifications contained in this catalog are subject to change without notice at any time.

IDTECK

**5F, Ace Techno Tower B/D, 684-1, Deungchon-Dong,
Kangsu-Gu, Seoul, Korea 157-030**

Tel : (82) 2 659-0055 Fax : (82) 2 659-0086

E-mail : webmaster@idteck.com

<http://www.idteck.com>